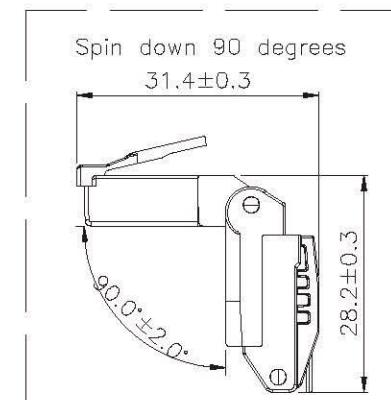
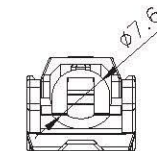
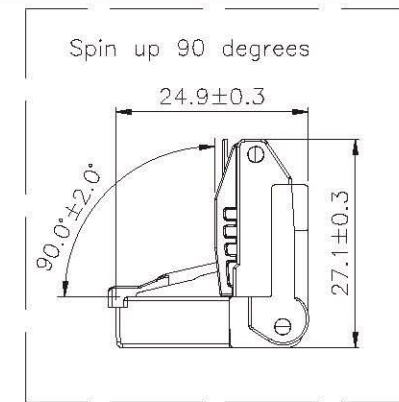
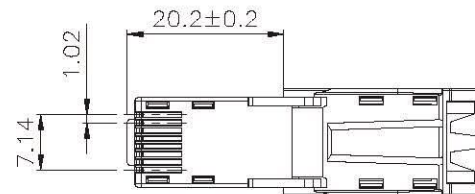
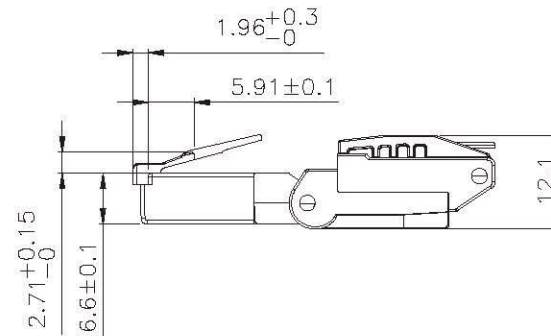
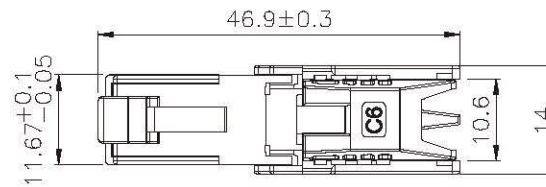
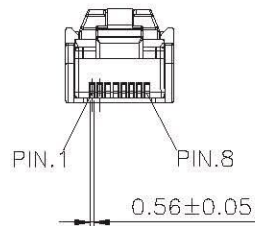


SCALE 1/1



Specification :

Material :

1. Plug-bottom: PC UL 94-V0, transparent blue color.
2. Plug-top: PC UL 94-V0, transparent blue color.
3. Bottom: PC UL 94-V0, transparent blue color.
4. IDC :
 - 4-1. Housing : PC, UL 94-V0, transparent blue color.
 - 4-2. Terminal : Titanium copper with tin plated.
5. Cap: PC UL 94-V0, transparent color.
6. Dustproof pad :
 - 6-1. Dustproof pad-A : Silica gel black UL 94-V0.
 - 6-2. Dustproof pad-B : Silica gel black UL 94-V0.
7. PCB:
 - 7-1. Material : FPC UL 94-V0.
 - 7-2. Finish : 5 micro-inch gold plated on pin contact area.

Performance :

- a. T568A & T568B wiring.
- b. Operating Temperature : -10°C to 60°C. (ISO/IEC 11801, ANSI/TIA 568 C.2)
- c. Life(mating cycles) :
 - c-1. Cable structure : UTP, Diameter 5.0~7.5mm.
 - c-2. Cable Conductor : Suitable for 24~26 AWG stranded and solid wire.
- d. The Cat.6 transmission performance is in compliance with the ANSI/TIA 568 C.2 standard.

GENERAL TOLERANCE OF DIMENSIONS X.XXX ±0.005 X.XX ±0.05 X.X ±0.1	DRAWING	01.AUG.2018	ZYEN		
	CHECK	01.AUG.2018	DAY		www.allconnectors.de Tel.: 0049 711 7009503 70794 Filcerstadt - Germany
	APPROVAL	01.AUG.2018	FRANK	info@allconnectors.de Fax: 0049 711 7009504 Kettererstr. 25	
		DATE	NAME	ITEM NO.: 3J01-K01-00030	
	SCALE	1/1 (A4)	UNIT	mm	DES.:
			DRAWING NO.	FPR-C6-US(S06)	
			DRAWING CLASSIFICATION	S	SHEET 1 OF 1

